

APP CRS	Rwy Idg	1899
248°	TDZE	547
	Apt Elev	550

RNAV (GPS) RWY 25

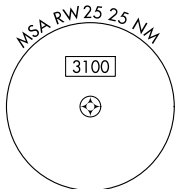
KELLER BROTHERS (Ø8N)

RNP APCH.

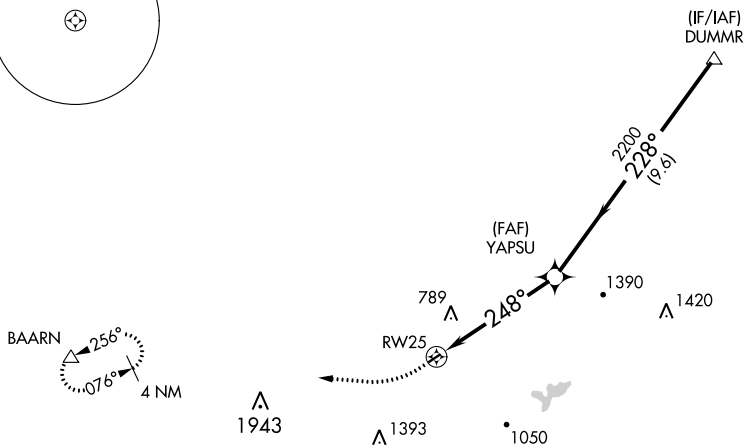
▼ Procedure NA at night. Rwy 7 helicopter visibility reduction below 1 SM NA.
▲NA Use Lancaster altimeter setting; when not received, use Reading altimeter setting and increase all MDA 40 feet.

MISSED APPROACH: Climbing right turn to 3000 direct BAARN and hold.

LNS ASOS 125.675	HARRISBURG APP CON 126.45 281.525	CTAF 122.9	121.9 0
----------------------------	---	----------------------	----------------



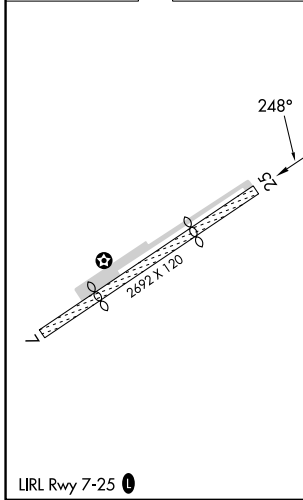
Procedure NA for arrivals at DUMMR on V93 northeast bound, V162 eastbound and V276 southeast bound.



NE-4, 31 OCT 2024 to 28 NOV 2024

NE-4, 31 OCT 2024 to 28 NOV 2024

ELEV 550	TDZE 547
----------	----------



Visual Segment - Obstacles.	3000	BAARN	YAPSU	DUMMR
		△		
		RW25	2200	4000
	5.1 NM		9.6 NM	
CATEGORY	A	B	C	D
LNAV MDA	1320-1 773 (800-1)	1320-1¼ 773 (800-1¼)		NA
CIRCLING	1440-1¼ 890 (900-1¼)	1580-1½ 1030 (1100-1½)		NA