

APP CRS	Rwy Idg	3098
114°	TDZE	1336
	Apt Elev	1336

RNAV (GPS) RWY 11

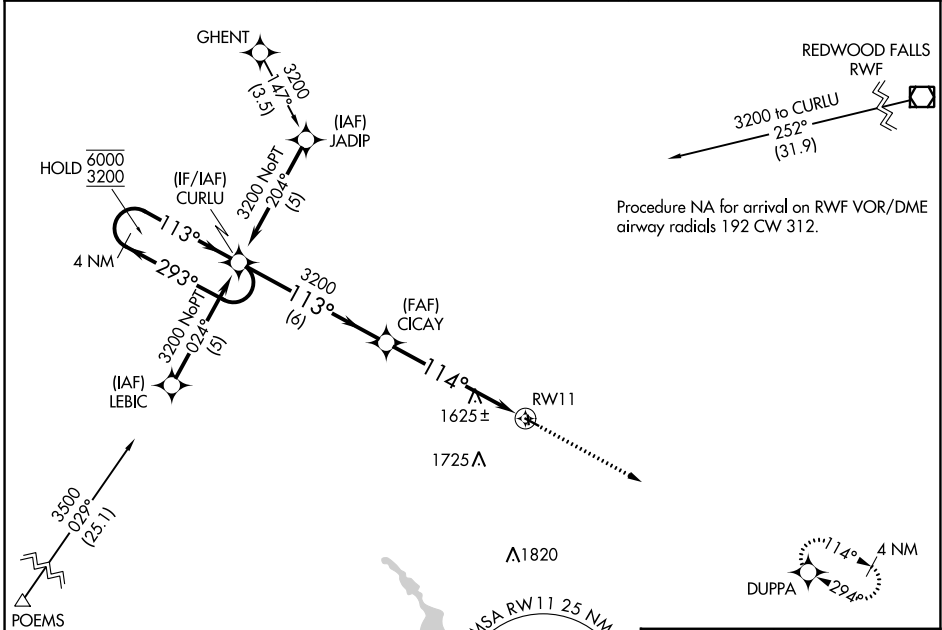
TRACY MUNI (TKC)

RNP APCH - GPS.

Procedure NA at night. Rwy 11 helicopter visibility reduction below 1 SM NA. Circling NA to Rwy 17-35.

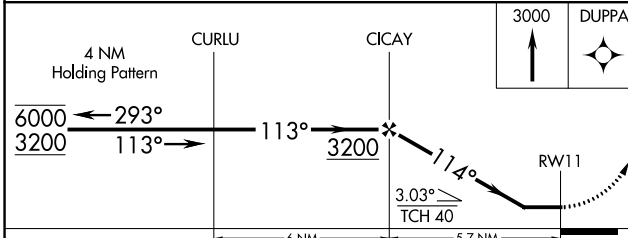
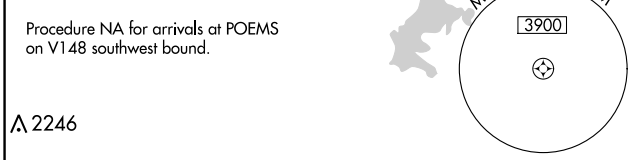
MISSED APPROACH: Climb to 3000 direct DUPPA and hold.

AWOS-3PT 120.0	MINNEAPOLIS CENTER 127.1 290.2	CTAF 122.9
--------------------------	--	----------------------

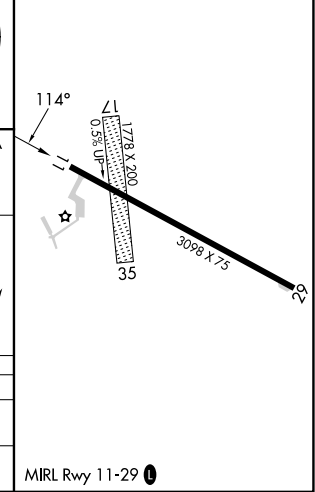


NC-1, 08 AUG 2024 to 05 SEP 2024

NC-1, 08 AUG 2024 to 05 SEP 2024



ELEV 1336	TDZE 1336
-----------	-----------



CATEGORY	A	B	C	D
LNVA MDA	1920-1	584 (600-1)		NA
CIRCLING	1960-1	624 (700-1)		NA

MIRL Rwy 11-29