

WAAS CH <b>78229</b> <b>W31A</b>	APP CRS <b>314°</b>	Rwy Idg TDZE Apt Elev	<b>3300</b> <b>859</b> <b>859</b>
--	------------------------	-----------------------------	---

# RNAV (GPS) RWY 31

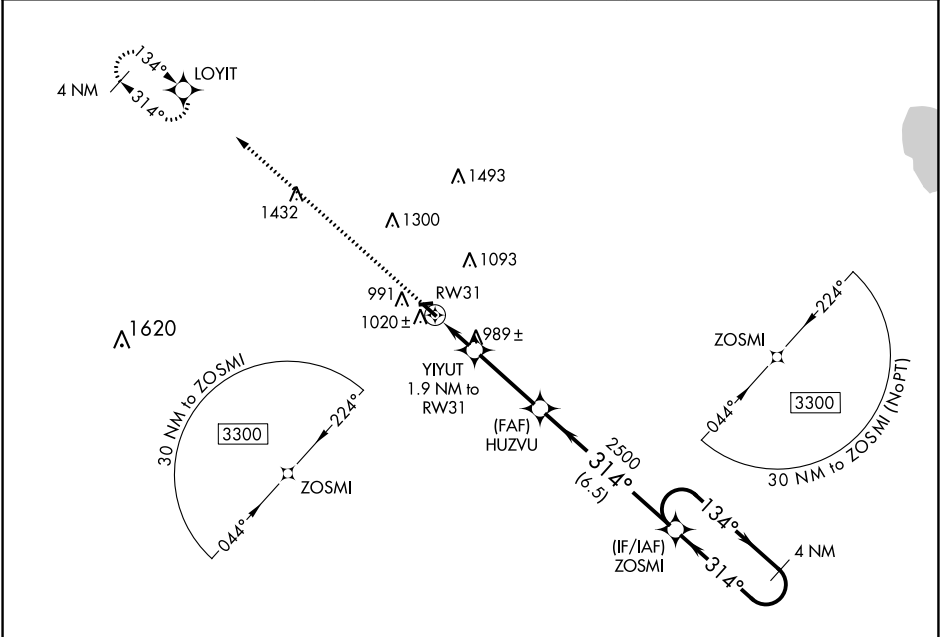
WAUTOMA MUNI (Y50)

RNP APCH - GPS.

**⚠** Circling Rwy 8, 26 NA. Rwy 13 helicopter visibility reduction below 1 SM NA. When local altimeter setting not received, use Oshkosh altimeter and increase all MDA 100 feet. Procedure NA at night.

**MISSED APPROACH:**  
Climb to 3300 direct  
LOYIT and hold.

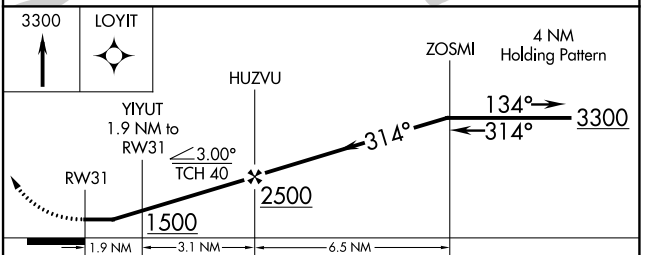
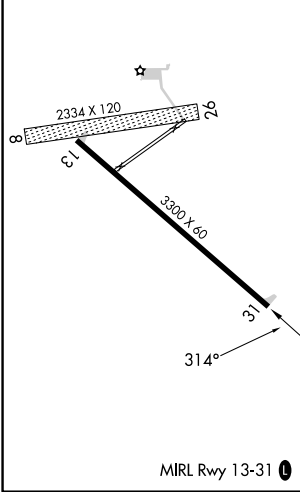
AWOS-3PT <b>119.475</b>	MILWAUKEE APP CON <b>127.0 263.075</b>	UNICOM <b>122.8 (CTAF) 0</b>
----------------------------	---	---------------------------------



EC-3, 08 AUG 2024 to 05 SEP 2024

EC-3, 08 AUG 2024 to 05 SEP 2024

ELEV 859	TDZE 859
----------	----------



CATEGORY	A	B	C	D
LP MDA	1240-1	381 (400-1)		NA
LNAV MDA	1280-1	421 (500-1)		NA
CIRCLING	1340-1 481 (500-1)	1380-1 521 (600-1)		NA