

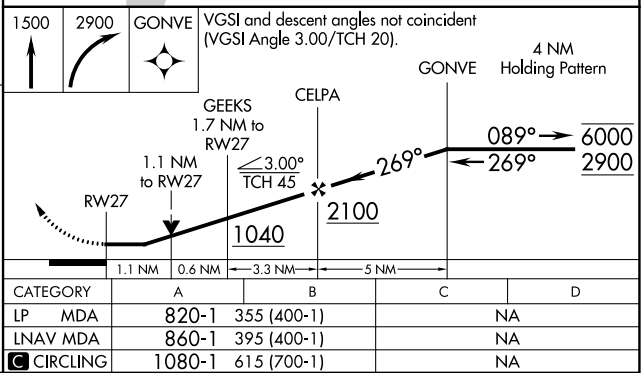
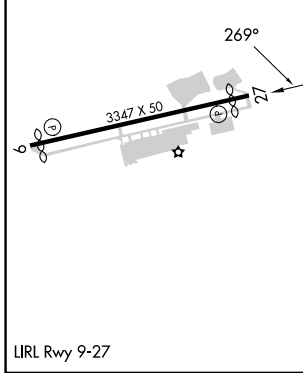
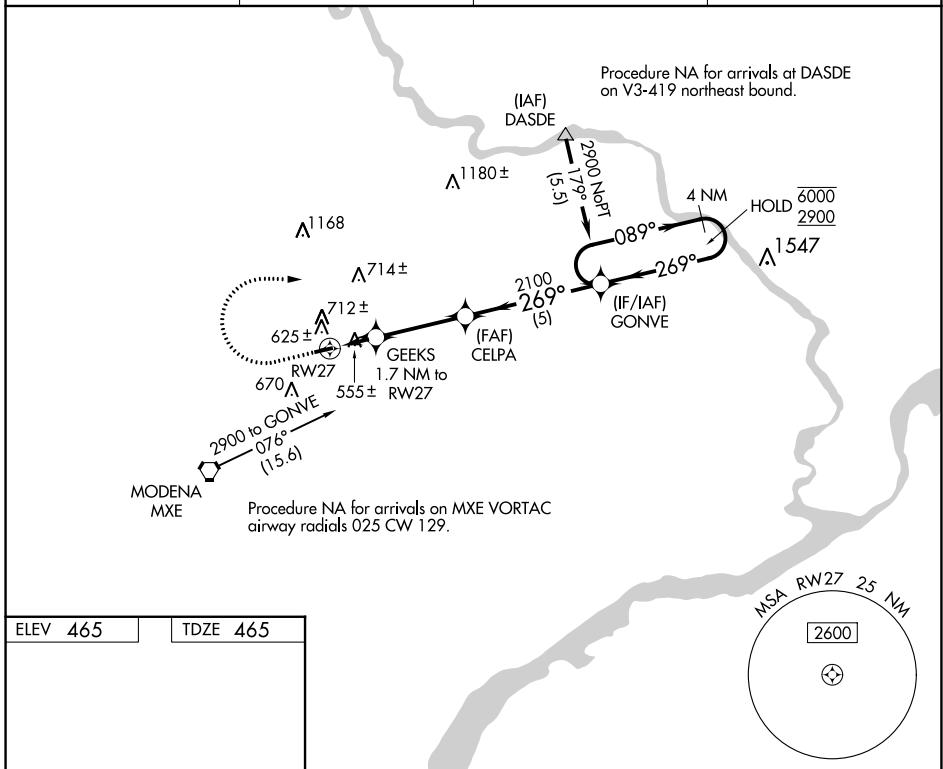
WAAS CH <b>86637</b> <b>W27A</b>	APP CRS <b>269°</b>	Rwy Idg TDZE Apt Elev	<b>3098</b> <b>465</b> <b>465</b>
--	------------------------	-----------------------------	---

# RNAV (GPS) RWY 27

BRANDYWINE RGNL (OQN)

RNP APCH - GPS.	<p><b>⚠</b> Rwy 27 helicopter visibility reduction below <math>\frac{3}{4}</math> SM NA. When local altimeter setting not received, use Coatesville altimeter setting and increase all MDAs 60 feet.</p>	MISSED APPROACH: Climb to 1500 then climbing right turn to 2900 direct GONVE and hold.
-----------------	--	--

AWOS-3T <b>121.4</b>	PHILADELPHIA APP CON <b>124.35 319.15</b>	CLNC DEL <b>125.6</b>	UNICOM <b>123.075</b> (CTAF)
-------------------------	--	--------------------------	---------------------------------



NE-4, 31 OCT 2024 to 28 NOV 2024

NE-4, 31 OCT 2024 to 28 NOV 2024