

NDB ODX <b>356</b>	APP CRS <b>124°</b>	Rwy ldg TDZE Apt Elev	<b>4721</b> <b>2070</b> <b>2070</b>
-----------------------	------------------------	-----------------------------	---

# NDB RWY 13

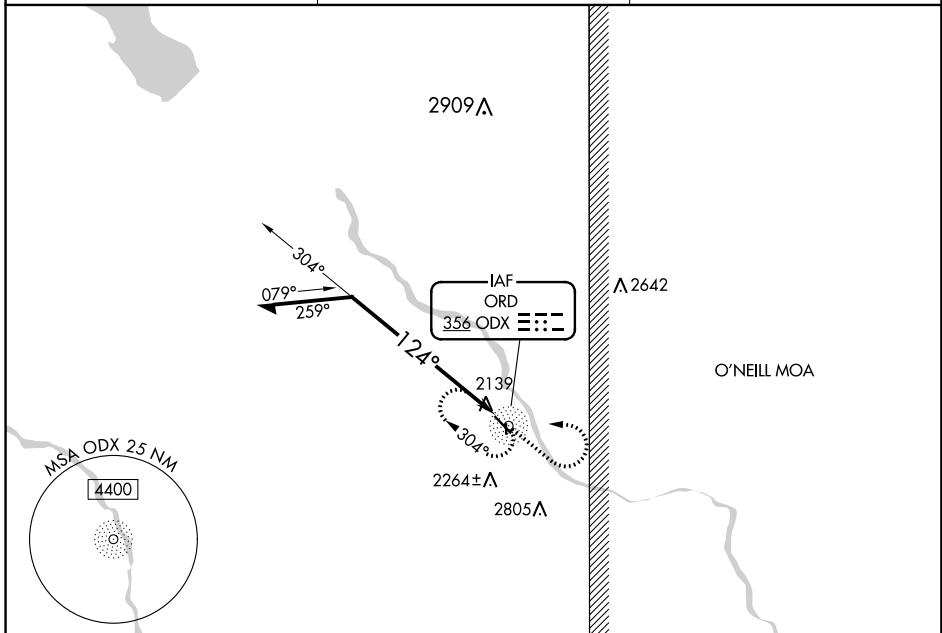
EVELYN SHARP FLD (ODX)

RADAR required for procedure entry.

▼ Circling NA to Rwys 17 and 35. Rwy 13 helicopter visibility reduction below 3/4 SM NA.

▲ MISSED APPROACH: Climb to 4200 then left turn direct ODX NDB and hold.

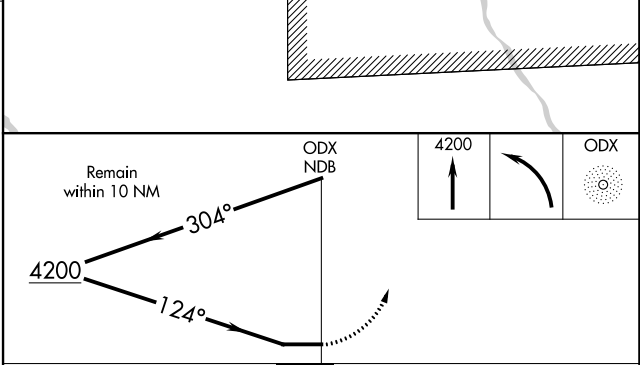
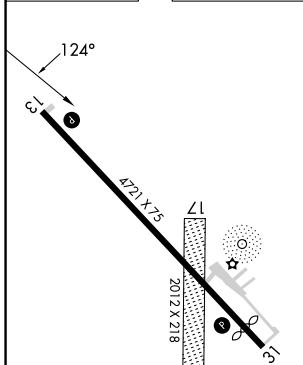
ASOS <b>119.925</b>	MINNEAPOLIS CENTER <b>119.4 278.8</b>	UNICOM <b>122.8 (CTAF) 0</b>
------------------------	--	---------------------------------



NC-2, 31 OCT 2024 to 28 NOV 2024

NC-2, 31 OCT 2024 to 28 NOV 2024

ELEV 2070	TDZE 2070
-----------	-----------



CATEGORY	A	B	C	D
S-13	2980-1¼	910 (1000-1¼)	NA	
CIRCLING	2980-1¼	910 (1000-1¼)	NA	

ORD, NEBRASKA  
Amdt 5B 20APR23

41°37'N-98°57'W

EVELYN SHARP FLD (ODX)  
**NDB RWY 13**