

WAAS CH <b>90135</b> <b>W28A</b>	APP CRS <b>276°</b>	Rwy Idg TDZE Apt Elev	<b>4400</b> <b>1004</b> <b>1004</b>
--	------------------------	-----------------------------	---

# RNAV (GPS) RWY 28

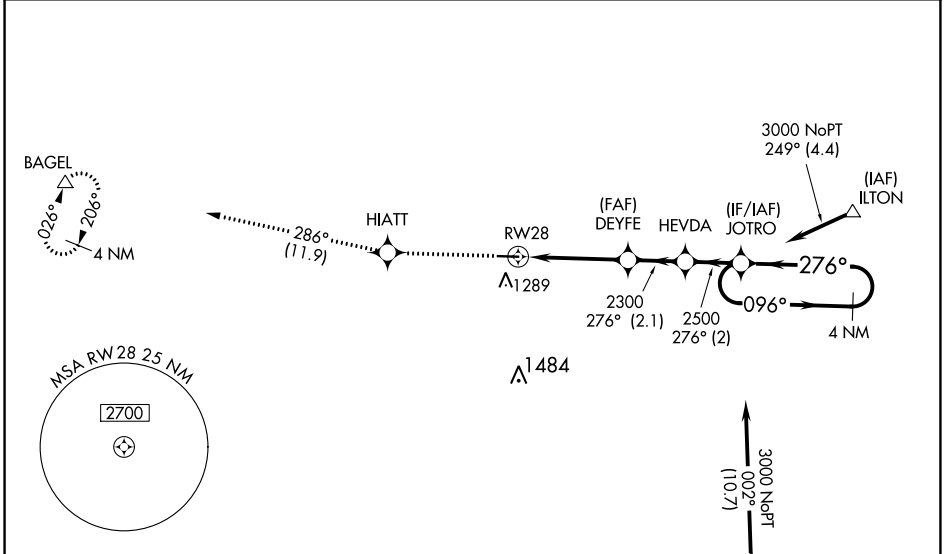
KENDALLVILLE MUNI (C62)

RNP APCH.

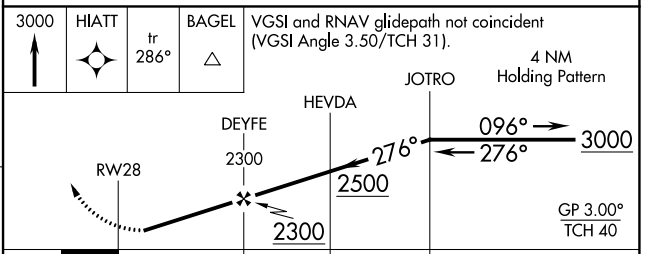
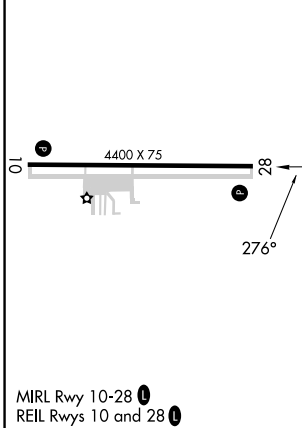
▼ Baro-VNAV NA when using Fort Wayne altimeter setting. For uncompensated Baro-VNAV systems, LNAV/VNAV NA below -16°C (4°F) or above 54°C (130°F). Rwy 28 helicopter visibility reduction below 1 SM NA. Straight-in Rwy 28 NA at night, Circling Rwy 28 NA at night. When local altimeter setting not received, use Fort Wayne altimeter setting and increase all DAs 96 feet and all MDAs 100 feet; increase LPV all Cats visibility 3/8 mile and LNAV/VNAV all Cats visibility 1/4 mile.

MISSED APPROACH: Climb to 3000 direct HIATT and on track 286° to BAGEL and hold.

AWOS-3P <b>119.925</b>	FORT WAYNE APP CON <b>127.2 284.6</b>	UNICOM <b>122.8 (CTAF) 1</b>
---------------------------	--	---------------------------------



ELEV 1004	TDZE 1004
-----------	-----------



CATEGORY	A	B	C	D
LPV DA	1352-1 1/8	348 (400-1 1/2)		NA
LNAV/VNAV DA	1276-1	272 (300-1)		NA
LNAV MDA	1520-1	516 (600-1)		NA
<input checked="" type="checkbox"/> CIRCLING	1600-1	596 (600-1)		NA

EC-2, 03 OCT 2024 to 31 OCT 2024

EC-2, 03 OCT 2024 to 31 OCT 2024