

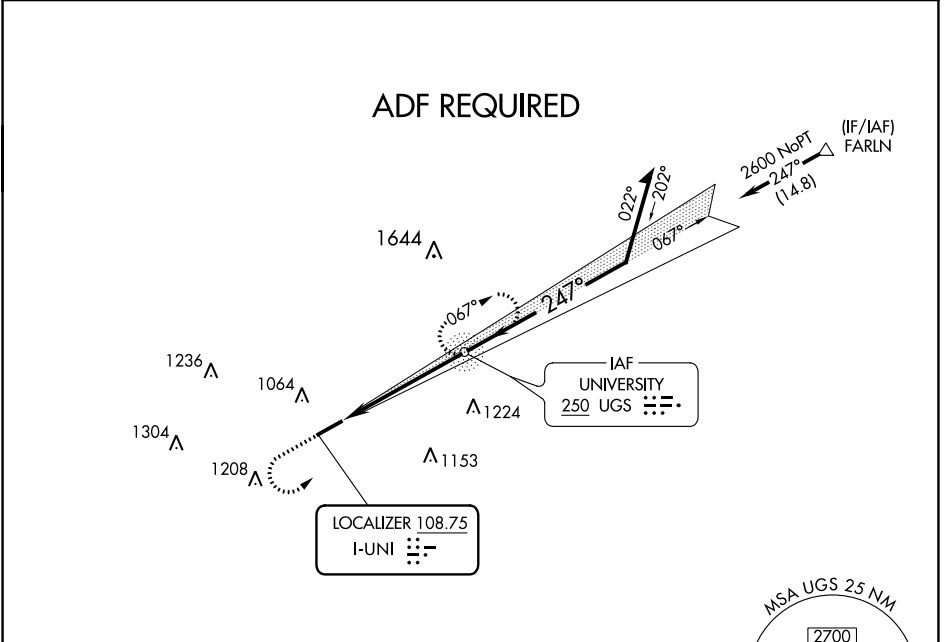
LOC I-UNI 108.75	APP CRS 247°	Rwy ldg TDZE Apt Elev	5600 765 766
----------------------------	------------------------	-----------------------------	---

ILS or LOC RWY 25

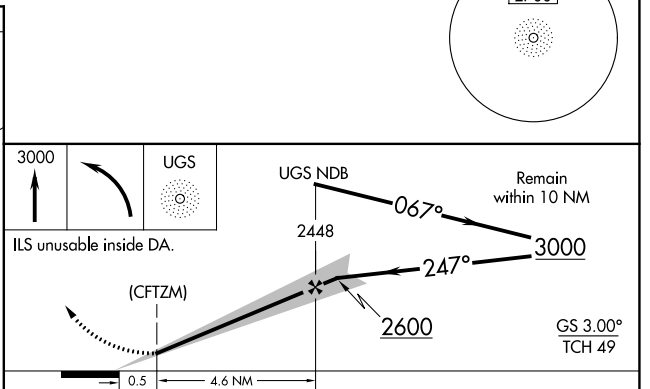
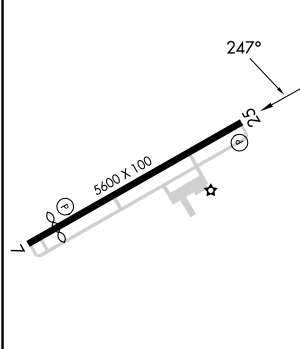
OHIO UNIVERSITY (UNI)

<p>▽ ADF required.</p> <p>△ NA</p>	<p>MISSED APPROACH: Climb to 3000 then left turn direct UGS NDB and hold.</p>
--	---

AWOS-3 128.325	HUNTINGTON APP CON 120.95 270.1	CLNC DEL 120.95	UNICOM 123.075 (CTAF) 0
--------------------------	---	---------------------------	-----------------------------------



ELEV 766	TDZE 765
----------	----------



MIRL Rwy 7-25 0

REIL Rwys 7 and 25 0

FAF to MAP 4.6 NM

Knots	60	90	120	150	180
Min:Sec	4:36	3:04	2:18	1:50	1:32

CATEGORY	A	B	C	D
S-ILS 25	974-1 209 (300-1)			
S-LOC 25	1420-1	655 (700-1)	1420-1 $\frac{7}{8}$	655 (700-1 $\frac{7}{8}$)
<input checked="" type="checkbox"/> CIRCLING	1420-1	654 (700-1)	1420-1 $\frac{7}{8}$ 654 (700-1 $\frac{7}{8}$)	1480-2 $\frac{1}{4}$ 714 (800-2 $\frac{1}{4}$)

EC-2, 08 AUG 2024 to 05 SEP 2024

EC-2, 08 AUG 2024 to 05 SEP 2024