

LOC I-GTR	APP CRS	Rwy ldg	8003
110.7	182°	TDZE	264
		Apt Elev	264

ILS or LOC RWY 18

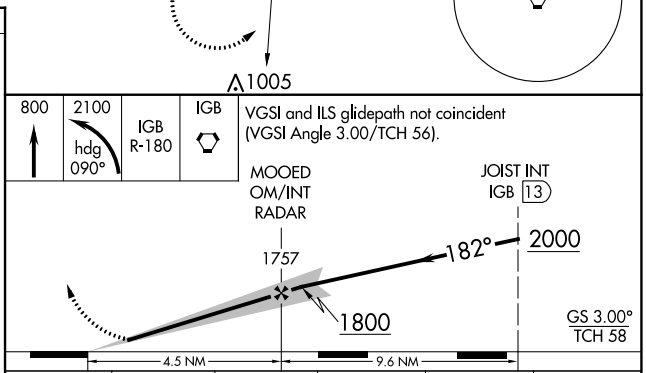
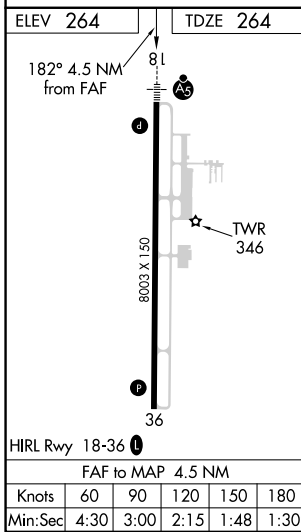
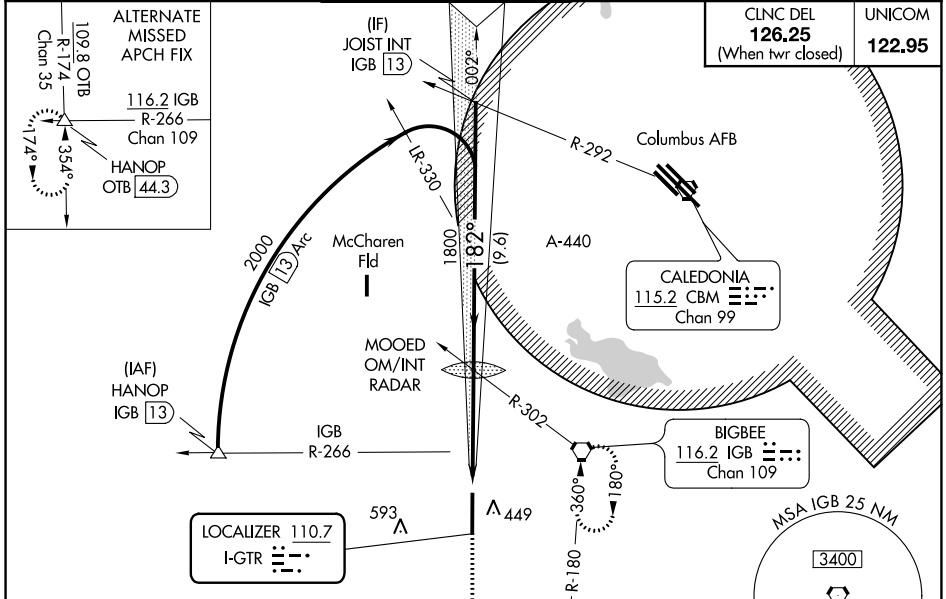
GOLDEN TRIANGLE RGNL (GTR)

⚠ For inop MALSR, increase S-ILS 18 Cat E visibility to ¾ mile, S-LOC 18 Cat E visibility to 1½ mile. When local altimeter setting not received, use Columbus AFB altimeter setting and increase DA 39 feet and all MDA 40 feet; increase S-LOC 18 Cats C/D/E visibility to ¾ mile. For inop MALSR when using Columbus AFB altimeter setting, increase S-ILS 18 Cat E visibility to ¾ mile, S-LOC 18 Cat E visibility to 1½ mile.



MISSED APPROACH: Climb to 800 then climbing left turn to 2100 on heading 090° and on IGB R-180 to IGB VORTAC and hold.

ATIS 126.375	COLUMBUS APP CON * 135.6 323.275	GOLDEN TRIANGLE TOWER * 118.2 (CTAF) 298.875	GND CON 135.375 322.475	CLNC DEL 135.375 322.475
------------------------	--	--	-----------------------------------	------------------------------------



CATEGORY	A	B	C	D	E
S-ILS 18	464-½ 200 (200-½)				
S-LOC 18	660-½	396 (400-½)	660-⅝	396 (400-⅝)	
C CIRCLING	760-1	496 (500-1)	960-2 696 (700-2)	960-2¼ 696 (700-2¼)	960-2½ 696 (700-2½)

SC-4, 23 MAR 2023 to 20 APR 2023

SC-4, 23 MAR 2023 to 20 APR 2023