

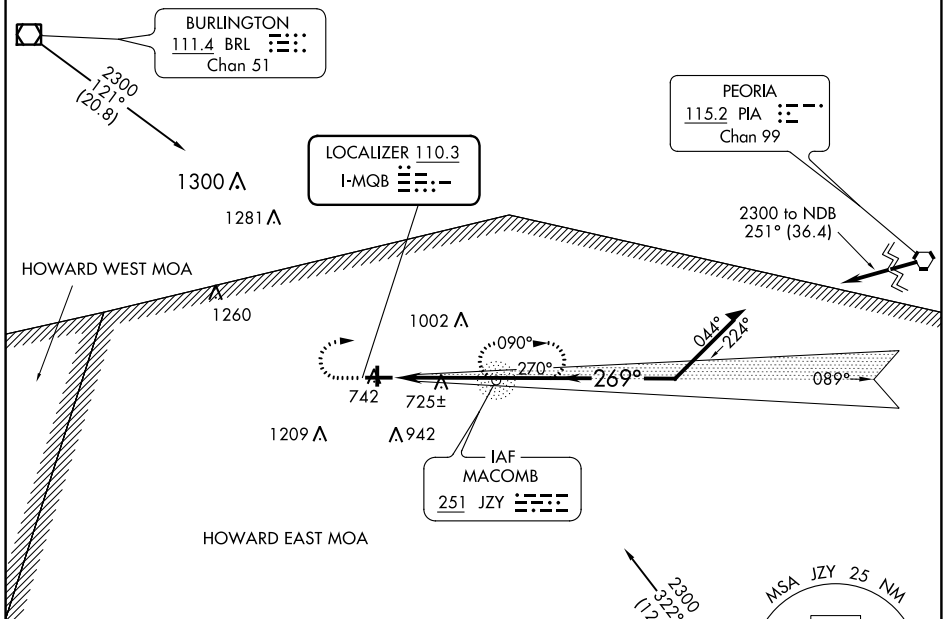
LOC I-MQB 110.3	APP CRS 269°	Rwy Idg TDZE Apt Elev	5100 686 706
---------------------------	------------------------	-----------------------------	-----------------------------------------

LOC RWY 27

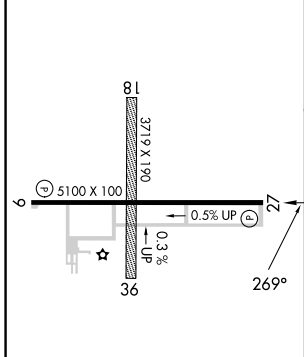
MACOMB MUNI (MQB)

ADF required. NA	Circling NA to Rws 18 and 36.	MISSED APPROACH: Climb to 2300 then right turn direct JZY NDB and hold.
---------------------	-------------------------------	-------------------------------------------------------------------------

AWOS-3 119.025	CHICAGO CENTER 135.6 316.1	UNICOM 122.8 (CTAF) 0
--------------------------	--------------------------------------	----------------------------------------

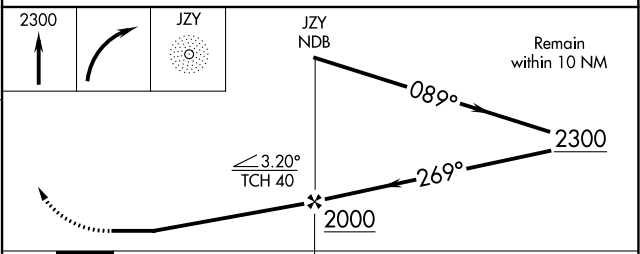


ELEV 706	TDZE 686
----------	----------



REIL Rws 9 and 27 **0**
HIRL Rwy 9-27 **0**
FAF to MAP 3.8 NM

Knots	60	90	120	150	180
Min:Sec	3:48	2:32	1:54	1:31	1:16



CATEGORY	A	B	C	D
S-27	980-1 294 (300-1)			
CIRCLING	1140-1 434 (500-1)	1200-1 494 (500-1)	1520-2½ 814 (900-2½)	1520-2¾ 814 (900-2¾)

EC-3, 31 OCT 2024 to 28 NOV 2024

EC-3, 31 OCT 2024 to 28 NOV 2024