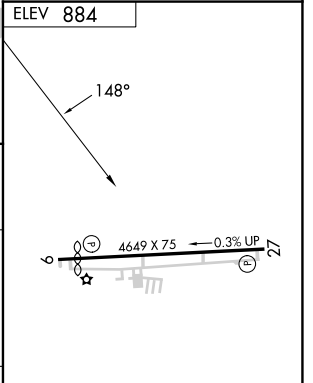
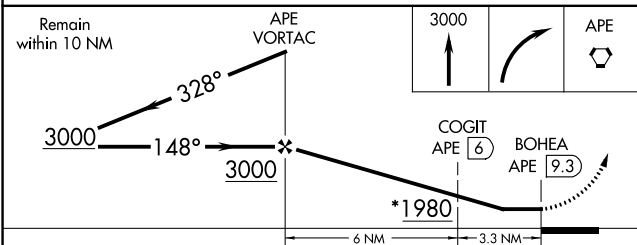
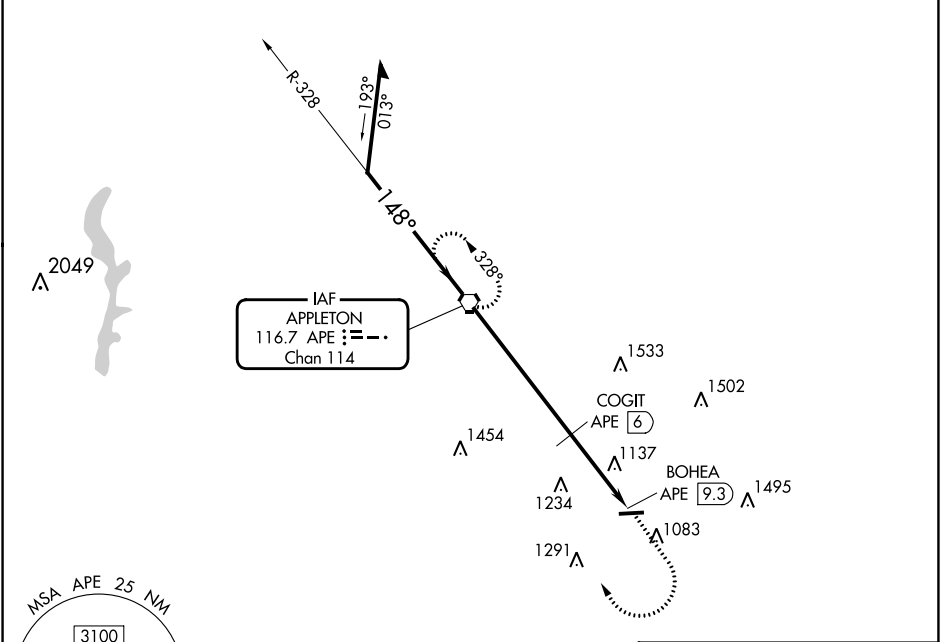


VORTAC APE 116.7 Chan 114	APP CRS 148°	Rwy Idg TDZE Apt Elev N/A N/A 884
---	------------------------	---

VOR-A
LICKING COUNTY RGNL (VTA)

⚠ Circling Rwy 9 NA at night. MISSED APPROACH: Climb to 3000 then right turn direct APE VORTAC and hold.

ASOS 121.125	COLUMBUS APP CON 125.95 317.775	CLNC DEL 125.175	UNICOM 122.7 (CTAF)	123.3 0
------------------------	---	----------------------------	-------------------------------	-----------------------



CATEGORY	A	B	C	D
C CIRCLING	1980-1¼ 1096 (1100-1¼)	1980-1½ 1096 (1100-1½)	1980-3	1096 (1100-3)
COGIT FIX MINIMUMS				
C CIRCLING	1620-1	736 (800-1)	1700-2½ 816 (900-2½)	1760-2¾ 876 (900-2¾)

MIRL Rwy 9-27 **0**
REIL Rwys 9 and 27 **0**

FAF to MAP 9.3 NM

Knots	60	90	120	150	180
Min:Sec	9:18	6:12	4:39	3:43	3:06

EC-2, 31 OCT 2024 to 28 NOV 2024

EC-2, 31 OCT 2024 to 28 NOV 2024