

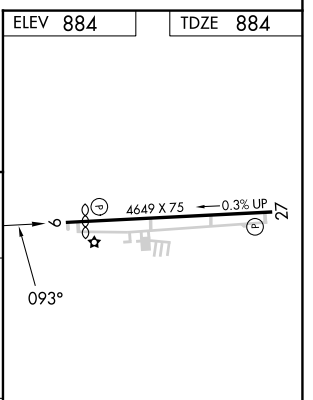
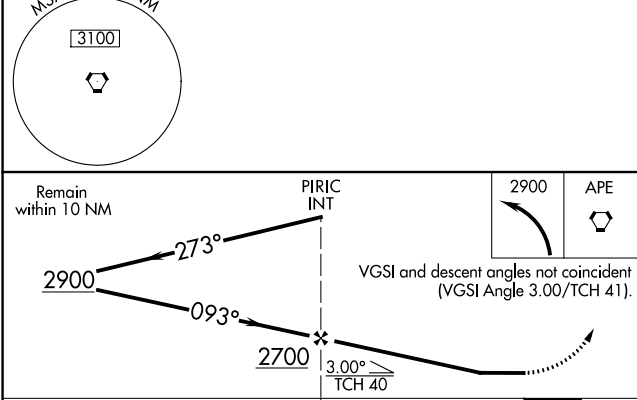
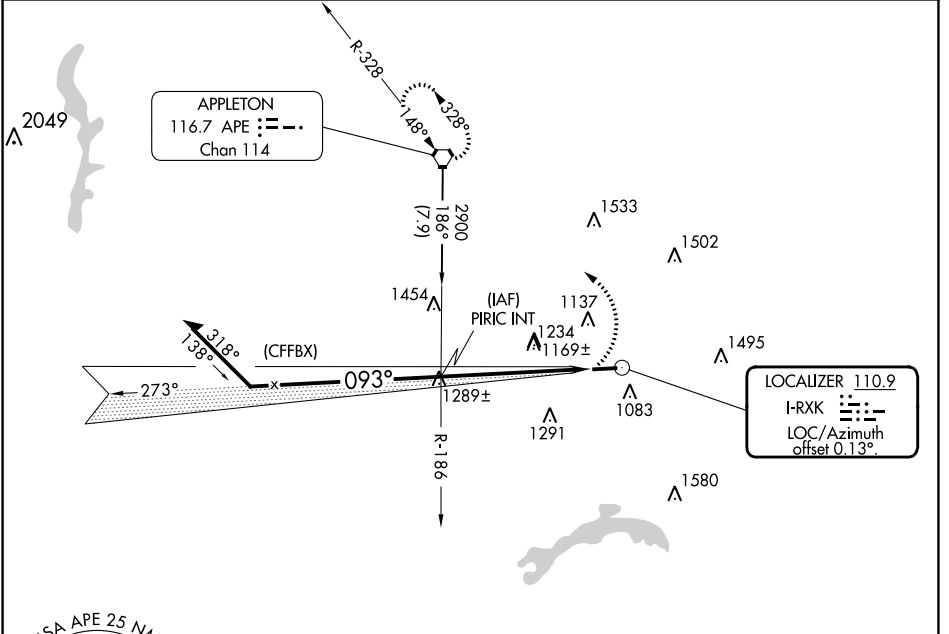
LOC I-RXK 110.9	APP CRS 093°	Rwy Idg TDZE Apt Elev	4192 884 884
---------------------------	------------------------	-----------------------------	---

LOC RWY 9

LICKING COUNTY RGNL (VTA)

▼ Rwy 9 helicopter visibility reduction below 1 SM NA. Straight-in and Circling Rwy 9 NA at night.
▲ NA MISSED APPROACH: Climbing left turn to 2900 direct APE VORTAC and hold.

ASOS 121.125	COLUMBUS APP CON 125.95 317.775	CLNC DEL 125.175	UNICOM 122.7 (CTAF)	123.3 0
------------------------	---	----------------------------	-------------------------------	-----------------------



CATEGORY	A	B	C	D
S-9	1420-1	536 (600-1)	1420-1½	536 (600-1½)
C CIRCLING	1480-1	596 (600-1)	1760-2½ 876 (900-2½)	1760-2¾ 876 (900-2¾)

MIRL Rwy 9-27 **0**
 REIL Rwys 9 and 27 **0**

FAF to MAP 5.6 NM

Knots	60	90	120	150	180
Min:Sec	5:36	3:44	2:48	2:14	1:52

EC-2, 31 OCT 2024 to 28 NOV 2024

EC-2, 31 OCT 2024 to 28 NOV 2024