

APP CRS	Rwy Idg	<b>4300</b>
<b>289°</b>	TDZE	<b>737</b>
	Apt Elev	<b>737</b>

# RNAV (GPS) RWY 29

OWOSSO COMMUNITY (RNP)

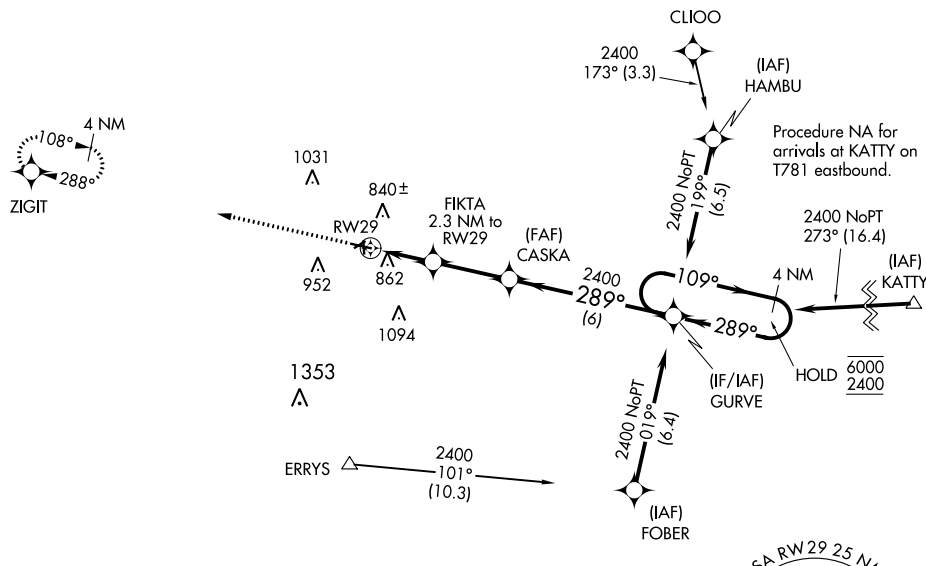
RNP APCH:

- Circling NA to Rwys 6, 18, 24 and 36. Procedure NA at night. Rwy 29 helicopter visibility reduction below 3/4 SM NA.
- MISSED APPROACH: Climb to 2600 direct ZIGIT and hold.

AWOS-3  
**118.025**

GREAT LAKES APP CON \*  
**128.55 257.9**

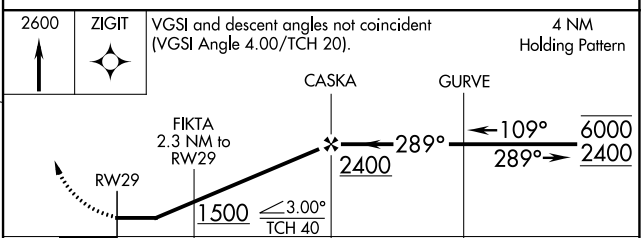
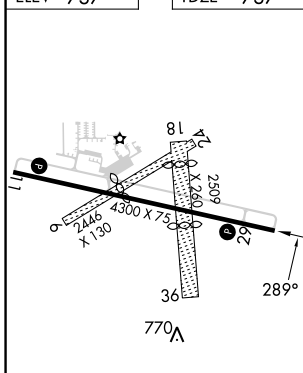
UNICOM  
**123.0 (CTAF)**



EC-1, 31 OCT 2024 to 28 NOV 2024

EC-1, 31 OCT 2024 to 28 NOV 2024

ELEV 737	TDZE 737
----------	----------



CATEGORY	A	B	C	D
LNAV MDA	1120-1	383 (400-1)	1120-1 1/8 383 (400-1 1/8)	NA
CIRCLING	1220-1 483 (500-1)	1260-1 523 (600-1)	1400-1 3/4 663 (700-1 3/4)	NA

OWOSSO, MICHIGAN  
Amdt 2 15AUG19

43°00'N-84°08'W

# OWOSSO COMMUNITY (RNP) RNAV (GPS) RWY 29