

WAAS CH 82613	APP CRS 276°	Rwy Idg TDZE Apt Elev	5000 753 755
-------------------------	------------------------	-----------------------------	---

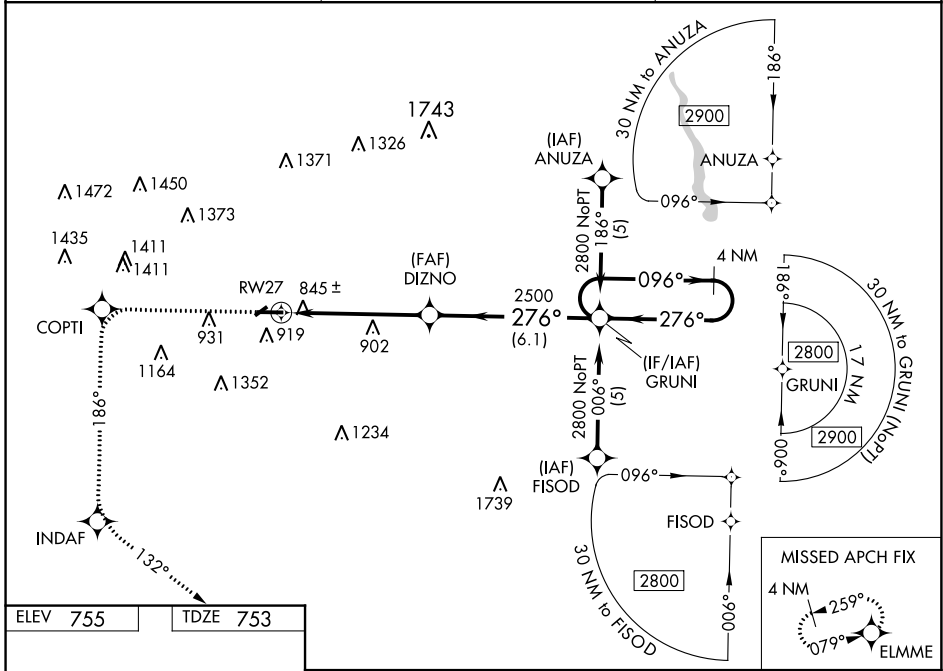
RNAV (GPS) RWY 27

MOUNT PLEASANT MUNI (MOP)

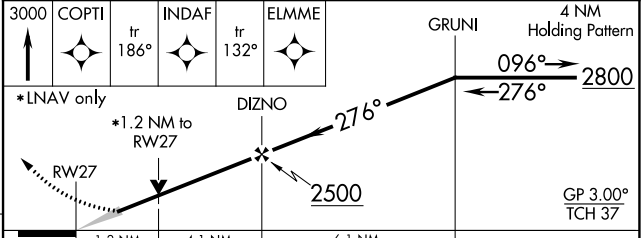
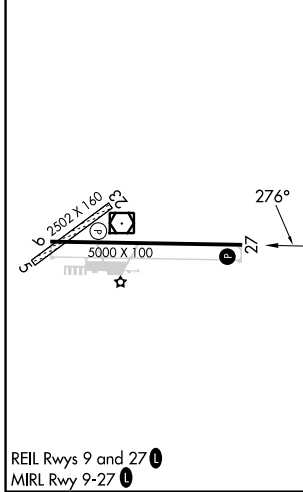
⚠ For uncompensated Baro-VNAV systems, LNAV/VNAV NA below -16°C (4°F) or above 47°C (116°F). DME/DME RNP-0.3 NA. When local altimeter setting not received, use Alma altimeter setting and increase all DA 42 feet and all MDA 60 feet, increase LPV, LNAV/VNAV all Cats, LNAV Cat D and Circling Cat C visibilities ¼ mile. Baro-VNAV and VDP NA when using Alma altimeter setting. Circling NA to Rwy's 5 and 23.

MISSED APPROACH: Climb to 3000 direct COPTI and via 186° track direct INDAF and via 132° track to ELMME and hold.

AWOS-3 133.025	GREAT LAKES APP CON* 126.45 235.625	UNICOM 123.0 (CTAF) 0
--------------------------	---	---------------------------------



ELEV 755	TDZE 753
-----------------	-----------------



CATEGORY	A	B	C	D
LPV DA		1099-1¼	346 (400-1¼)	
LNAV/VNAV DA		1201-1½	448 (500-1½)	
LNAV MDA	1160-1	407 (500-1)	1160-1¼	407 (500-1¼)
CIRCLING	1240-1	485 (500-1)	1400-1¾	1700-3
			645 (700-1¾)	945 (1000-3)

EC-1, 31 OCT 2024 to 28 NOV 2024

EC-1, 31 OCT 2024 to 28 NOV 2024