

WAAS CH 50212 W27A	APP CRS 270°	Rwy Idg TDZE Apt Elev	6501 1230 1230
--	------------------------	-----------------------------	---

RNAV (GPS) RWY 27

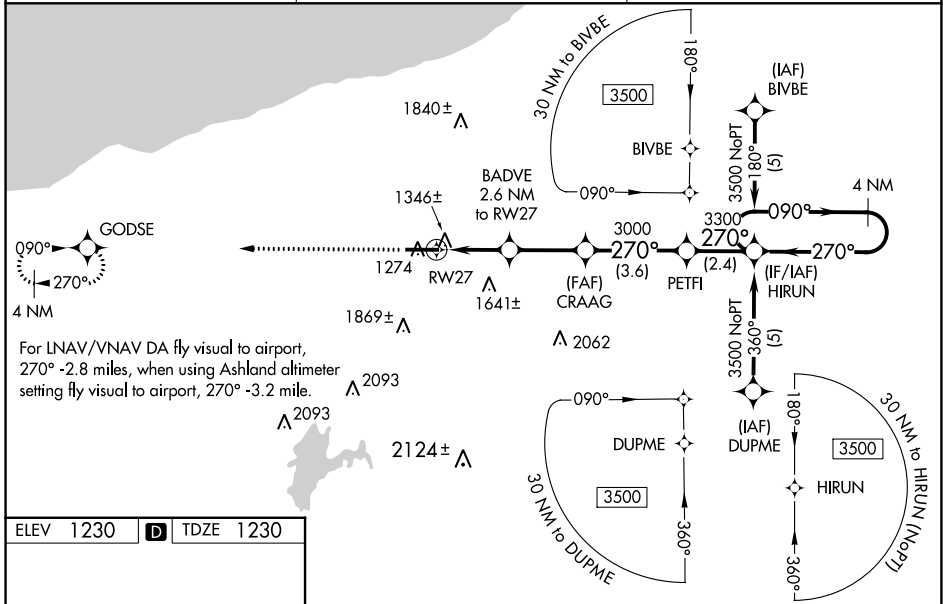
GOGEBIC/IRON COUNTY (IWD)

RNP APCH - GPS.

⚠ Inoperative table does not apply to LPV and LNAV/VNAV all Cats and LNAV Cats A and B. For uncompensated Baro-VNAV systems, LNAV/VNAV NA below -17°C or above 46°C. When using Ashland altimeter setting: inop table does not apply to LNAV/VNAV all Cats and LNAV Cat A. When using Ashland altimeter setting: for inoperative MALSR, increase LNAV Cat B visibility to 1½ mile. Baro-VNAV and VDP NA when using Ashland altimeter setting. When local altimeter setting not received, use Ashland altimeter setting: increase LPV DA to 1562 feet; increase LNAV/VNAV DA to 2298 feet and Cat C visibility ¼ SM; increase all MDA 140 feet and LNAV Cat C/D visibility ½ SM and Circling Cat B visibility ¼ SM.

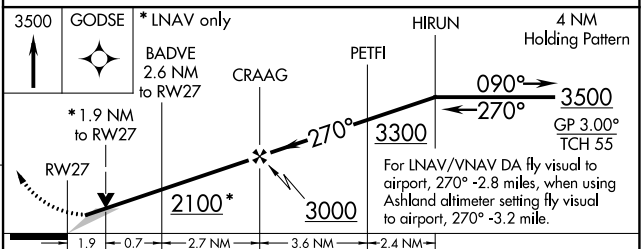
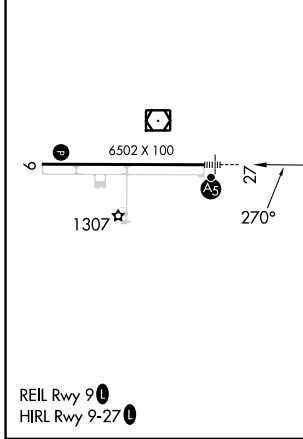
MALSR
 MISSED APPROACH: Climb to 3500 direct GODSE and hold.

AWOS-3PT 125.175	MINNEAPOLIS CENTER 133.55	UNICOM 122.8 (CTAF)
----------------------------	-------------------------------------	-------------------------------



For LNAV/VNAV DA fly visual to airport, 270° -2.8 miles, when using Ashland altimeter setting fly visual to airport, 270° -3.2 mile.

ELEV 1230	D	TDZE 1230
-----------	----------	-----------



CATEGORY	A	B	C	D
LPV DA	1430-1		200 (200-1)	
LNAV/VNAV DA	2166-2	936 (1000-2)	2166-2¾ 936 (1000-2¾)	2166-3 936 (1000-3)
LNAV MDA	1900-1	670 (700-1)	1900-1¼ 670 (700-1¼)	1900-1½ 670 (700-1½)
CIRCLING	2100-1¼	870 (900-1¼)	2200-3 970 (1000-3)	2220-3 990 (1000-3)

EC-1, 03 OCT 2024 to 31 OCT 2024

EC-1, 03 OCT 2024 to 31 OCT 2024