

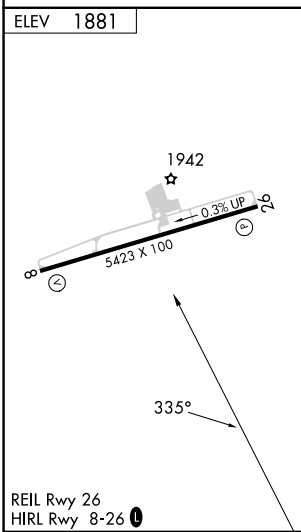
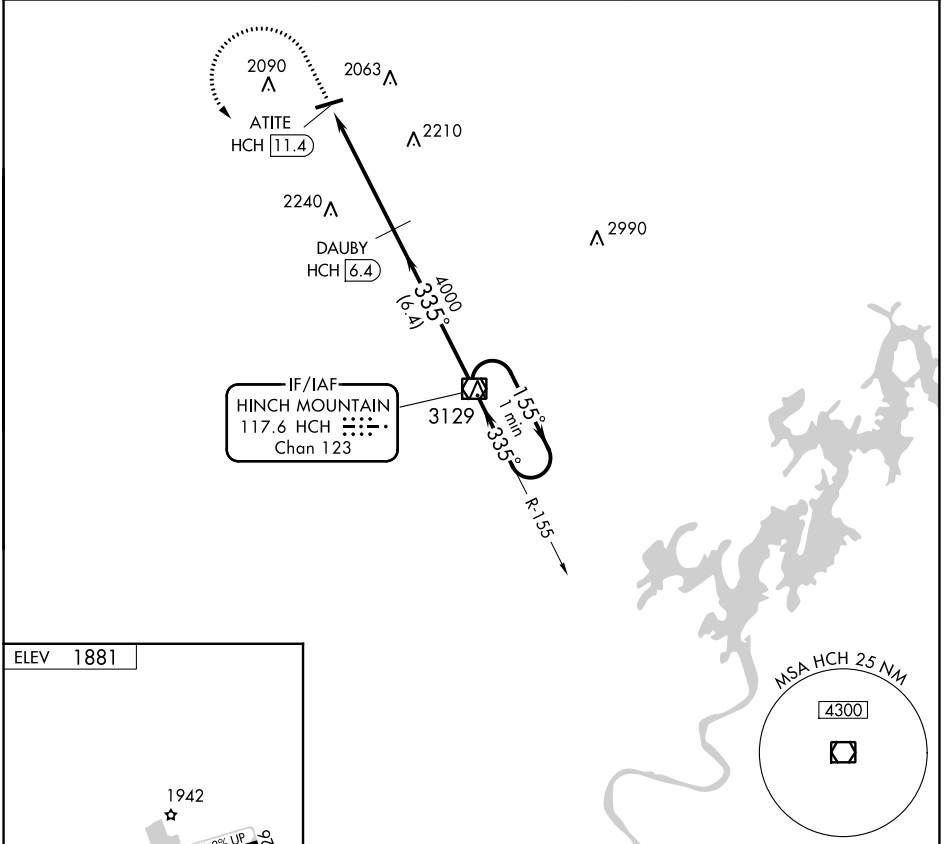
VOR/DME HCH <b>117.6</b> Chan <b>123</b>	APP CRS <b>335°</b>	Rwy Ldg TDZE Apt Elev <b>1881</b>	N/A N/A <b>1881</b>
--	------------------------	---	---------------------------

# VOR-A

CROSSVILLE MEML-WHITSON FLD (CSV)

<b>NA</b>	DME required.	MISSED APPROACH: Climb to 3000 then climbing left turn to 5000 direct HCH VOR/DME and hold.
-----------	---------------	---

ASOS <b>120.625</b>	ATLANTA CENTER <b>133.6 254.3</b>	UNICOM <b>122.7 (CTAF)</b>
------------------------	--------------------------------------	-------------------------------



3000	5000	HCH	HCH VOR/DME	One Minute Holding Pattern
↑	↻	☐	DAUBY HCH 6.4	
ATITE HCH 11.4		4000		5000
5 NM		6.4 NM		
335°	155°	335°		
CATEGORY	A	B	C	D
<b>C</b> CIRCLING	2340-1	459 (500-1)	2340-1½ 459 (500-1½)	2540-2 659 (700-2)

# VOR-A

SE-1, 31 OCT 2024 to 28 NOV 2024

SE-1, 31 OCT 2024 to 28 NOV 2024