

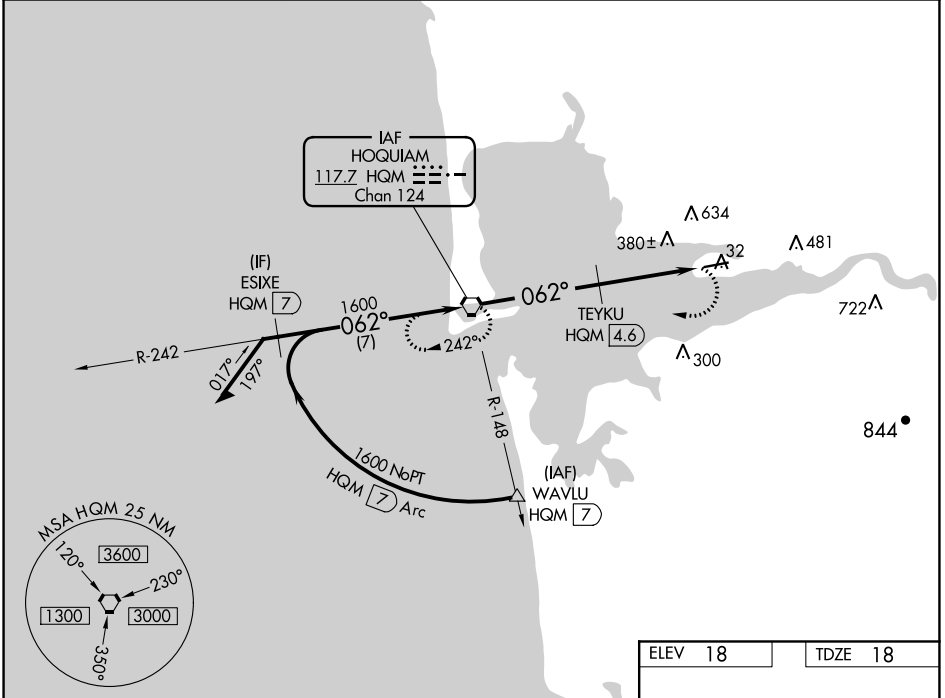
VORTAC HQM 117.7 Chan 124	APP CRS 062°	Rwy Idg TDZE Apt Elev	5000 18 18
--	------------------------	-----------------------------	---------------------------------------

VOR RWY 6
BOWERMAN (HQM)

⚠ Visibility reduction by helicopters NA. Circling NA northwest of Rwy 6 and 24.

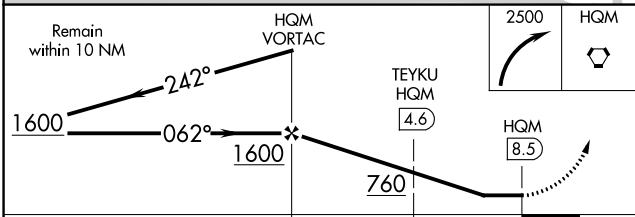
⚠ MISSED APPROACH: Climbing right turn to 2500 direct HQM VORTAC and hold.

ASOS 135.775	SEATTLE CENTER 128.3 269.0	UNICOM 122.7 (CTAF) 0
------------------------	--------------------------------------	---------------------------------

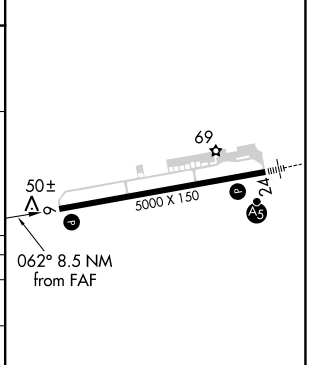


NW-1, 26 JAN 2023 to 23 FEB 2023

NW-1, 26 JAN 2023 to 23 FEB 2023



ELEV 18	TDZE 18
---------	---------



CATEGORY	A	B	C	D
S-6	760-1 742 (800-1)	760-1¼ 742 (800-1¼)	760-2¼ 742 (800-2¼)	760-2½ 742 (800-2½)
CIRCLING	760-1 742 (800-1)	760-1¼ 742 (800-1¼)	800-2¼ 782 (800-2¼)	860-2¾ 842 (900-2¾)
TEYKU FIX MINIMUMS				
S-6	640-1	622 (700-1)	640-1¾ 622 (700-1¾)	640-2 622 (700-2)
CIRCLING	640-1	622 (700-1)	800-2¼ 782 (800-2¼)	860-2¾ 842 (900-2¾)

REIL Rwy 6 0	HIRL Rwy 6-24 0				
FAF to MAP 8.5 NM					
Knots	60	90	120	150	180
Min:Sec	8:30	5:40	4:15	3:24	2:50