

APP CRS	Rwy Idg	10526
079°	TDZE	2157
	Apt Elev	2181

RNAV (RNP) RWY 8R

HARRY REID INTL (LAS)

RNP AR APCH. RF required.

MISSED APPROACH: Climb to 7000 on the RNAV missed approach route to VMPRE and hold, continue climb-in-hold to 7000.

▼ For uncompensated Baro-VNAV systems, procedure NA below 0°C or above 54°C.

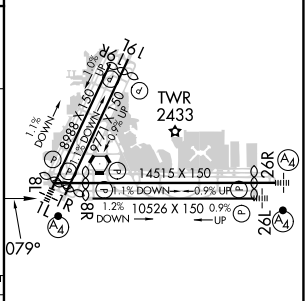
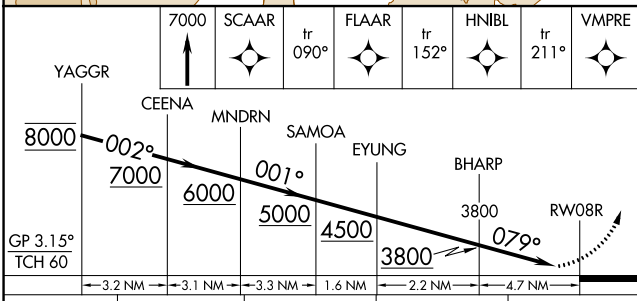
D-ATIS	LAS VEGAS APP CON	LAS VEGAS TOWER	GND CON	CLNC DEL	CPDLC
132.4	125.025 379.15 (West) 119.775 282.2 (East)	118.75 257.8 (Rwy 1L/19R, 1R/19L) 119.9 257.8 (Rwy 8L/26R, 8R/26L)	121.1 270.8 E of 1R/19L 121.9 254.3 W of 1L/19R	118.0	



SW-4, 03 OCT 2024 to 31 OCT 2024

SW-4, 03 OCT 2024 to 31 OCT 2024

ELEV 2181	D TDZE 2157
-----------	--------------------



CATEGORY	A	B	C	D
RNP 0.10 DA		2544-1 $\frac{1}{8}$	387 (400-1 $\frac{1}{8}$)	
RNP 0.30 DA		2613-1 $\frac{3}{8}$	456 (500-1 $\frac{3}{8}$)	

AUTHORIZATION REQUIRED

MIRL Rwy 1R-19L
REIL Rwsy 1R, 8R, 19L and 19R
HIRL Rwsy 1L-19R, 8L-26R and 8R-26L