

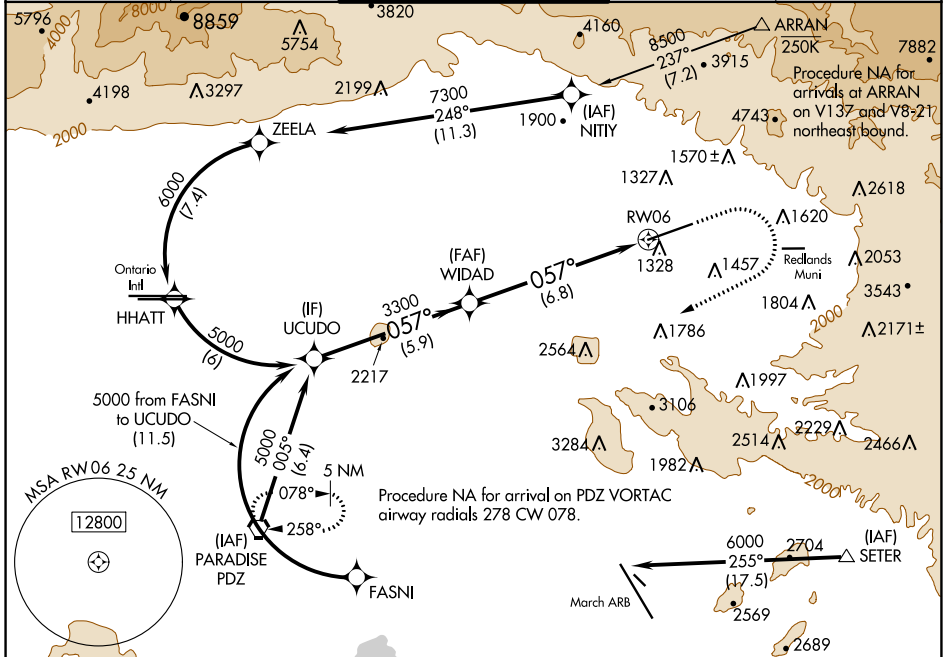
APP CRS 057°	Rwy Idg 10000
	TDZE 1103
	Apt Elev 1159

RNAV (RNP) X RWY 6

SAN BERNARDINO INTL (SBD)

RNP AR APCH-GPS. Authorization required. From NITTY or SETER: RF. MISSED APPROACH: Climb to 2000 then climbing right turn to 6000 direct PDZ VORTAC and hold.
 For uncompensated Baro-VNAV systems, procedure NA below 2°C or above 54°C. *Missed approach requires minimum climb of 350 feet per NM to 4000; if unable to meet climb gradient, see RNAV (GPS) Y RWY 6.

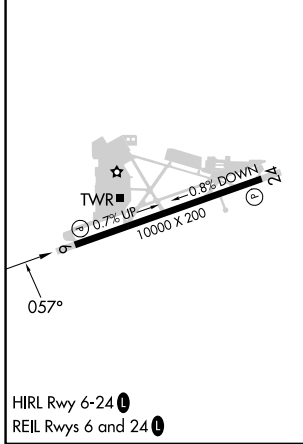
D-ATIS 124.175	SOCAL APP CON 127.0 318.2	SAN BERNARDINO TOWER* 119.45 (CTAF) 0	GND CON 121.8	UNICOM 122.975
--------------------------	-------------------------------------	--------------------------------------------------------	-------------------------	--------------------------



SW-3, 31 OCT 2024 to 28 NOV 2024

SW-3, 31 OCT 2024 to 28 NOV 2024

ELEV 1159	D	TDZE 1103
-----------	----------	-----------



UCUDO	WIDAD	2000	6000	PDZ
5000	3300	↑	↷	◡
GP 3.00° TCH 51		RWY 6		
5.9 NM		6.8 NM		
CATEGORY	A	B	C	D
RNP 0.15 DA*	1353/40 250 (200-¾)			
RNP 0.30 DA*	1403/45 300 (300-⅞)			
AUTHORIZATION REQUIRED				