

FRDMM SIX ARRIVAL (RNAV) Transition Routes

WASHINGTON, DC

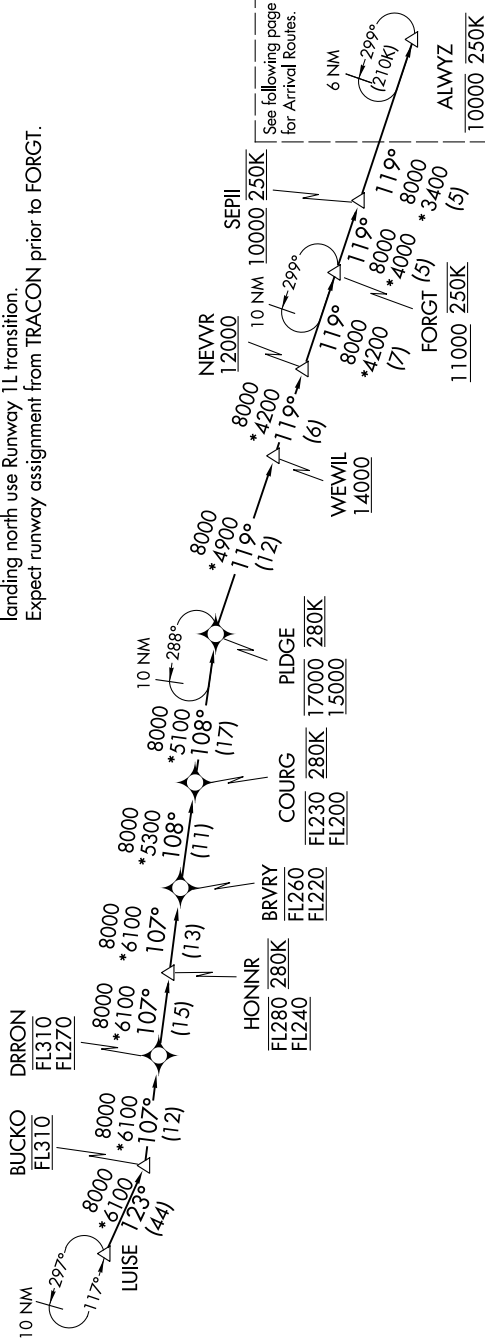
NE-3, 05 SEP 2024 to 03 OCT 2024

POTOMAC APP CON
118.675 323.175
DCA D-ATIS
132.65
ADW D-ATIS
133.675 251.05
DAA ATIS *
128.175

RNAV-1 DME/DME/IRU or GPS.
RADAR required.

BUCKO TRANSITION (BUCKO.FRDMM6):
LUISE TRANSITION (LUISE.FRDMM6):

- NOTE: Jet aircraft only.
- NOTE: Turboprop aircraft as assigned by ATC only.
- NOTE: PROHIBITED AREA (P-56) 1.5 NM north of KDCA - AVOID - surface to FL180.
- NOTE: Landing south at DCA use Runway 19 transition, landing north use Runway 1 transition.
- NOTE: Landing south at ADW use Runway 19R transition, landing north use Runway 1L transition.
- NOTE: Expect runway assignment from TRACON prior to FORGT.



(CONTINUED ON FOLLOWING PAGE)

NOTE: Chart not to scale.

WASHINGTON, DC

NE-3, 05 SEP 2024 to 03 OCT 2024