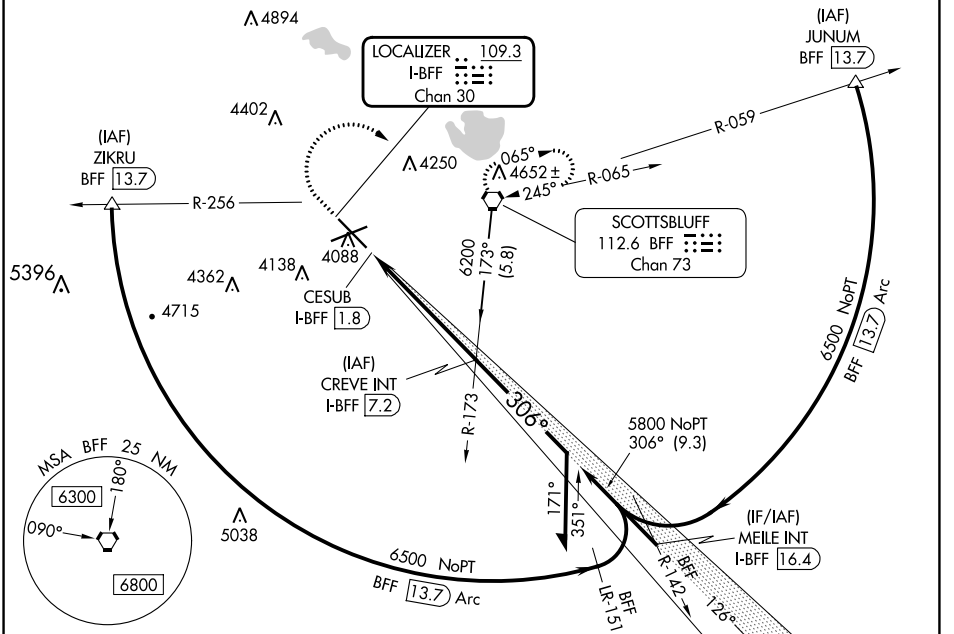


LOC/DME I-BFF <b>109.3</b> Chan <b>30</b>	APP CRS <b>306°</b>	Rwy Idg <b>8279</b> TDZE <b>3952</b> Apt Elev <b>3967</b>
---	------------------------	---

**ILS or LOC RWY 30**  
WESTERN NEBRASKA RGNL/WM B HEILIG FLD/SCOTTSSLUFF (B'F'F')

<p><b>▲</b> For inop ALS, increase S-LOC 30 Cats C and D visibility to 1 SM.</p>	<p>MALSR </p>	<p>MISSED APPROACH: Climb to 5800 then climbing right turn to 6200 direct BFF VORTAC and hold.</p>
--	-------------------	--

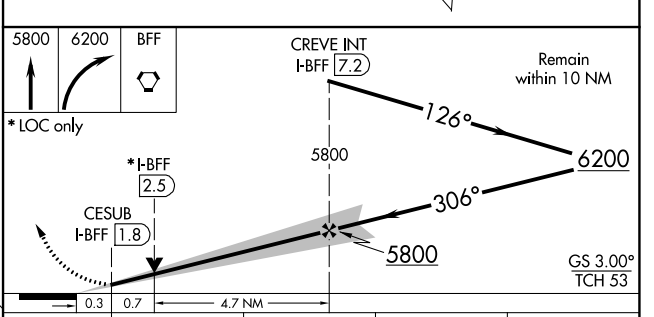
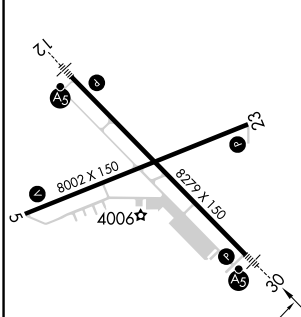
ASOS <b>121.025</b>	DENVER CENTER <b>127.95 338.2</b>	UNICOM <b>123.0 (CTAF) 0</b>
------------------------	--------------------------------------	---------------------------------



NC-2, 08 AUG 2024 to 05 SEP 2024

NC-2, 08 AUG 2024 to 05 SEP 2024

ELEV <b>3967</b>	<b>D</b>	TDZE <b>3952</b>
------------------	----------	------------------



CATEGORY	A	B	C	D
S-ILS 30	4152-½ 200 (200-½)			
S-LOC 30	4300-½ 348 (400-½)	4300-⅝ 348 (400-⅝)		
<input checked="" type="checkbox"/> CIRCLING	4500-1 533 (600-1)	4560-1½ 593 (600-1½)	4740-2½ 773 (800-2½)	

SCOTTSSLUFF, NEBRASKA  
Amdt 11 08NOV18

WESTERN NEBRASKA RGNL/WM B HEILIG FLD/SCOTTSSLUFF (B'F'F')  
41°52'N-103°36'W

**ILS or LOC RWY 30**