

WAAS CH 56214 W36A	APP CRS 357°	Rwy Idg 12901 TDZE 1175 Apt Elev 1219
--	------------------------	--

RNAV (GPS) RWY 36

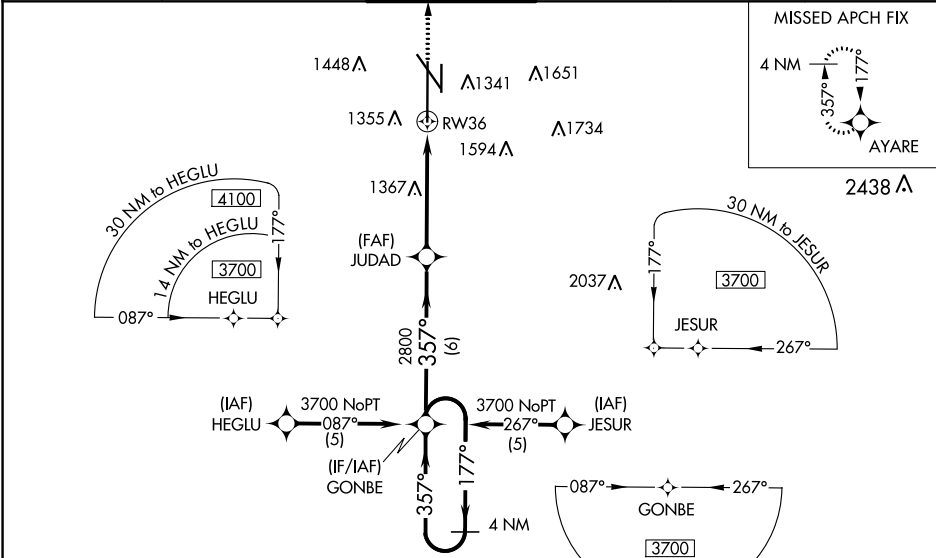
LINCOLN (LNK)

⚠ For uncompensated Baro-VNAV systems, LNAV/VNAV NA below -17°C (2°F) or above 54°C (130°F). DME/DME RNP-0.3 NA. When local altimeter setting not received, use Beatec altimeter setting and increase all DA 91 feet, all MDA 100 feet and LNAV/VNAV all Cats, LNAV Cat C and D, and Circling Cats C and D visibility ¼ mile and LPV all Cats visibility ½ mile. For inop MALSRS increase LPV all Cats visibility to 1 mile. For inop MALSRS when using Beatec altimeter setting increase LPV all Cats visibility to 1 ½ mile. Baro-VNAV and VDP NA when using Beatec altimeter setting.



MISSED APPROACH:
Climb to 3800 direct AYARE and hold.

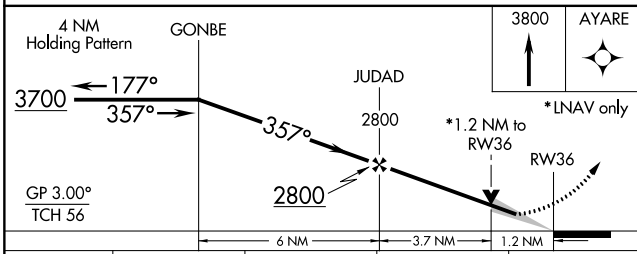
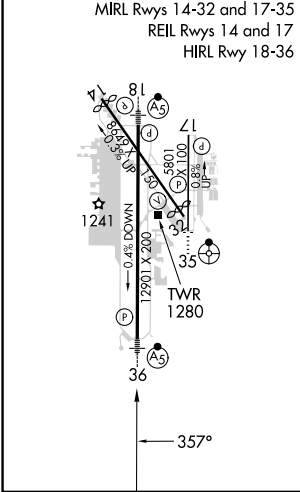
ATIS 118.05 290.9	OMAHA APP CON 124.0 270.3	LINCOLN TOWER * 118.5(CTAF) 253.5	GND CON 121.9 275.8	CLNC DEL 120.7 225.4	UNICOM 122.95
-----------------------------	-------------------------------------	--	-------------------------------	--------------------------------	-------------------------



NC-2, 11 JUL 2024 to 08 AUG 2024

NC-2, 11 JUL 2024 to 08 AUG 2024

ELEV 1219	D	TDZE 1175
-----------	----------	-----------



CATEGORY	A	B	C	D
LPV DA	1493/24		318 (300-½)	
LNAV/VNAV DA	1669/60		494 (500-1¼)	
LNAV MDA	1620/24	445 (500-½)	1620/40 445 (500-¾)	1620/50 445 (500-1)
CIRCLING	1720-1 501 (600-1)	1760-1 541 (600-1)	1820-1¾ 601 (700-1¾)	1960-2½ 741 (800-2½)