

PALACIOS THREE DEPARTURE

**TOP ALTITUDE:
ASSIGNED BY ATC**

RADAR and DME required.

TAKEOFF MINIMUMS

Rwys 4, 17L/R, 35L/R: Standard.
Rwy 22: 200-1/4 or standard with minimum climb of 214' per NM to 300 or alternatively with standard takeoff minimums and a normal 200' per NM climb gradient, takeoff must occur no later than 1400' prior to DER.

SC-5, 11 JUL 2024 to 08 AUG 2024

ATIS
135.575 269.9
GND CON
121.6 275.8
ELLINGTON TOWER
126.05 253.5
HOUSTON DEP CON
134.45 284.0

FORT STOCKTON
116.9 FST
Chan 116

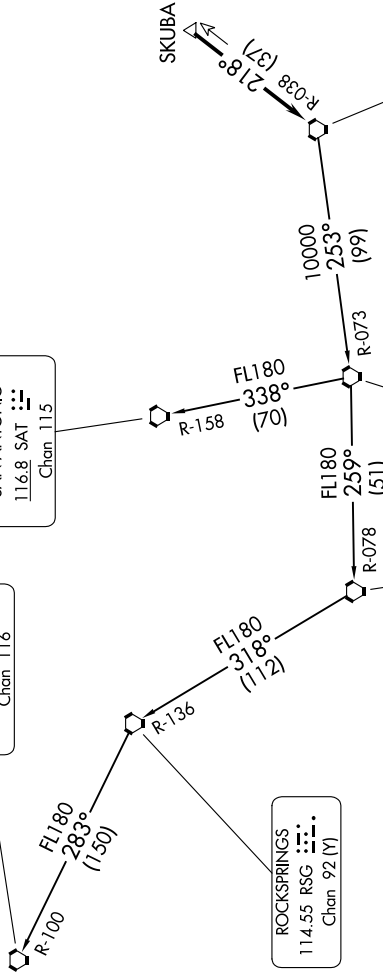
SAN ANTONIO
116.8 SAT
Chan 115

ROCKSPRINGS
114.55 RSG
Chan 92 (Y)

COTUILA
115.8 COT
Chan 105

THREE RIVERS
111.4 THX
Chan 51

PALACIOS
117.3 PSX
Chan 120



(CONTINUED ON FOLLOWING PAGE)

SC-5, 11 JUL 2024 to 08 AUG 2024

NOTE: Chart not to scale.

PALACIOS THREE DEPARTURE