

24025

MIDWAY SEVEN DEPARTURE

AL-81 (FAA)

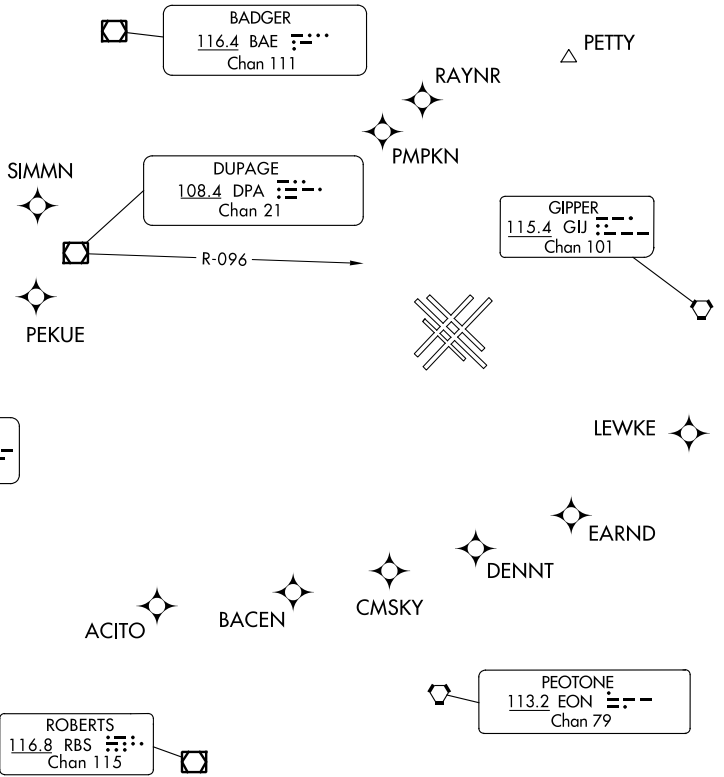
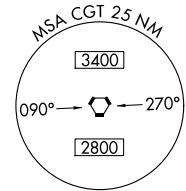
CHICAGO MIDWAY INTL (MDW)
CHICAGO, ILLINOIS

D-ATIS 132.75
CLNC DEL
124.625
CPDLC
GND CON
118.075
MIDWAY TOWER
135.2 269.125
CHICAGO DEP CON
128.2 353.875

RNAV 1 - GPS from ACITO, BACEN, CMSKY,
DENNT, EARND, LEWKE, PEKUE, PMPKN, RAYNR.

RADAR required.

**TOP ALTITUDE:
3000**



NOTE: All Turbo-Jet departures, in all directions, accelerate to 250K immediately upon entering or outside the lateral confines of ORD Class B airspace, then maintain 250K until advised by ATC.

TAKEOFF MINIMUMS:

Rwy 4L/R, 13L/C, 22L/R, 31C/R: Standard.

NOTE: Chart not to scale.

DEPARTURE ROUTE DESCRIPTION

ALL AIRCRAFT:

TAKEOFF RUNWAYS 4L/R, 13L/C, 22L/R, 31C/R: Climb on assigned heading for RADAR vectors to filed/assigned route or depicted fix. Maintain 3000, expect filed altitude ten minutes after departure.

ALL AIRCRAFT: Complete initially assigned turn within 4 NM of KMDW airport.

MIDWAY SEVEN DEPARTURE

30NOV23

CHICAGO, ILLINOIS
CHICAGO MIDWAY INTL (MDW)

EC-3, 31 OCT 2024 to 28 NOV 2024

EC-3, 31 OCT 2024 to 28 NOV 2024