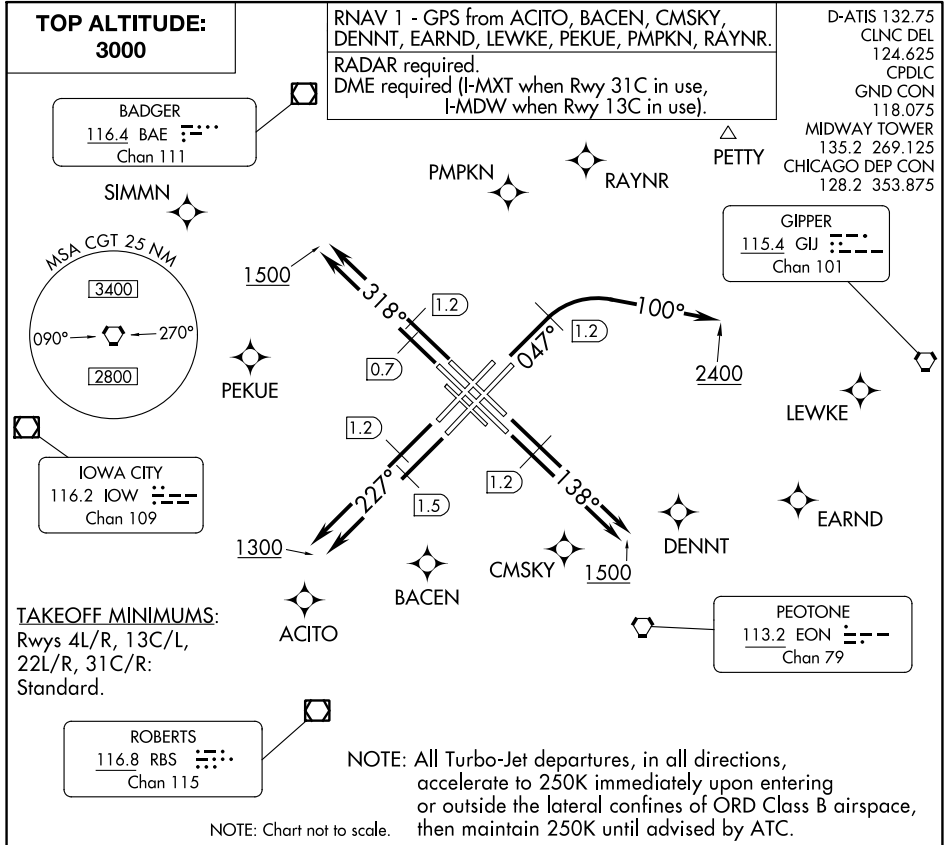


# CICERO THREE DEPARTURE

AL-81 (FAA)

CHICAGO MIDWAY INTL (MDW)

CHICAGO, ILLINOIS



EC-3, 03 OCT 2024 to 31 OCT 2024

EC-3, 03 OCT 2024 to 31 OCT 2024

**DEPARTURE ROUTE DESCRIPTION**

**TAKEOFF RUNWAYS 4L/R:** Assigned headings 360° (CW) thru 080° climb on heading 047° to 1.2 DME, then continue climbing right turn heading 100° to 2400, thence . . .

**TAKEOFF RUNWAYS 13C/L:** Climb on heading 138° to 1.2 DME, then continue climb to 1500, thence . . .

**TAKEOFF RUNWAY 22L:** Climb on heading 227° to 1.5 DME, then continue climb to 1300, thence . . .

**TAKEOFF RUNWAY 22R:** Climb on heading 227° to 1.2 DME, then continue climb to 1300, thence . . .

**TAKEOFF RUNWAY 31C:** Climb on heading 318° to 0.7 DME, then continue climb to 1500, thence . . .

**TAKEOFF RUNWAY 31R:** Climb on heading 318° to 1.2 DME, then continue climb to 1500, thence . . .

**ALL AIRCRAFT:** Expect RADAR vectors to first enroute fix. Maintain 3000 or assigned lower altitude. Expect clearance to requested altitude/flight level 10 (ten) minutes after departure. Complete initially assigned turn within 4 DME.  
. . . on tower assigned heading/vector to assigned altitude.

# CICERO THREE DEPARTURE

CHICAGO, ILLINOIS

CHICAGO MIDWAY INTL (MDW)